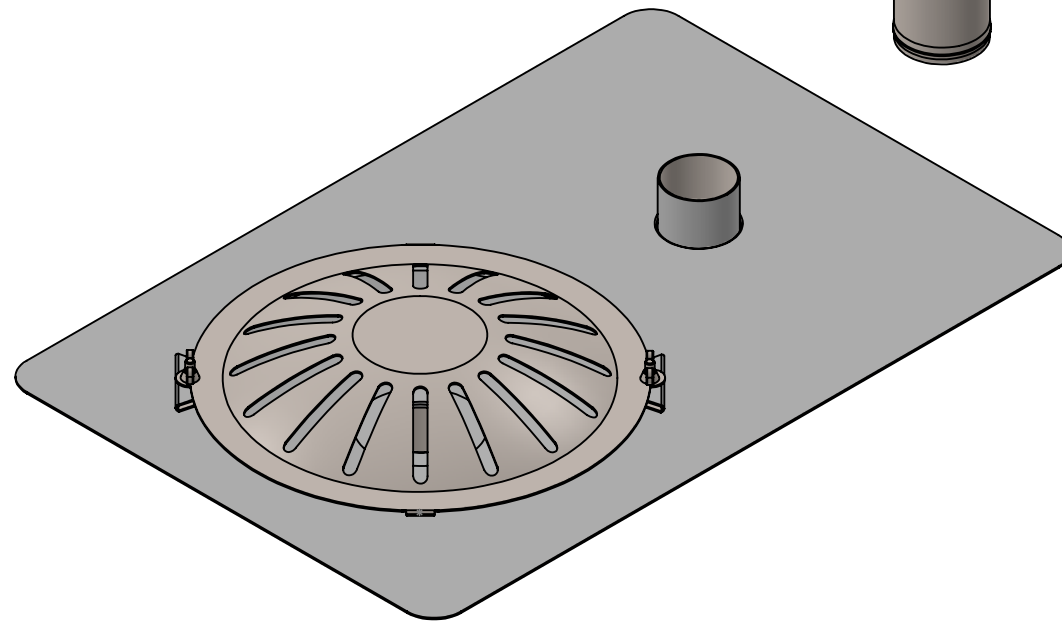
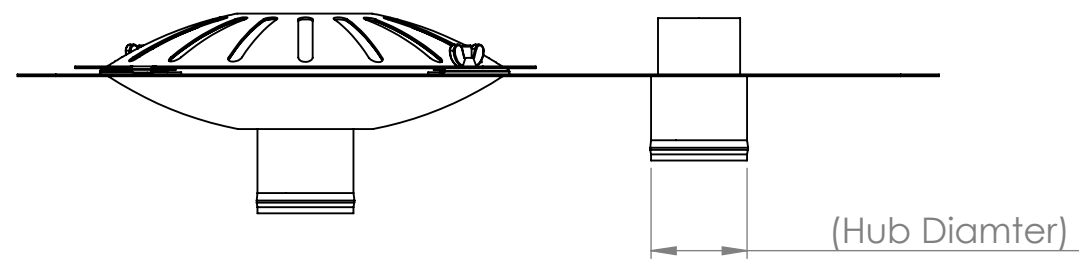
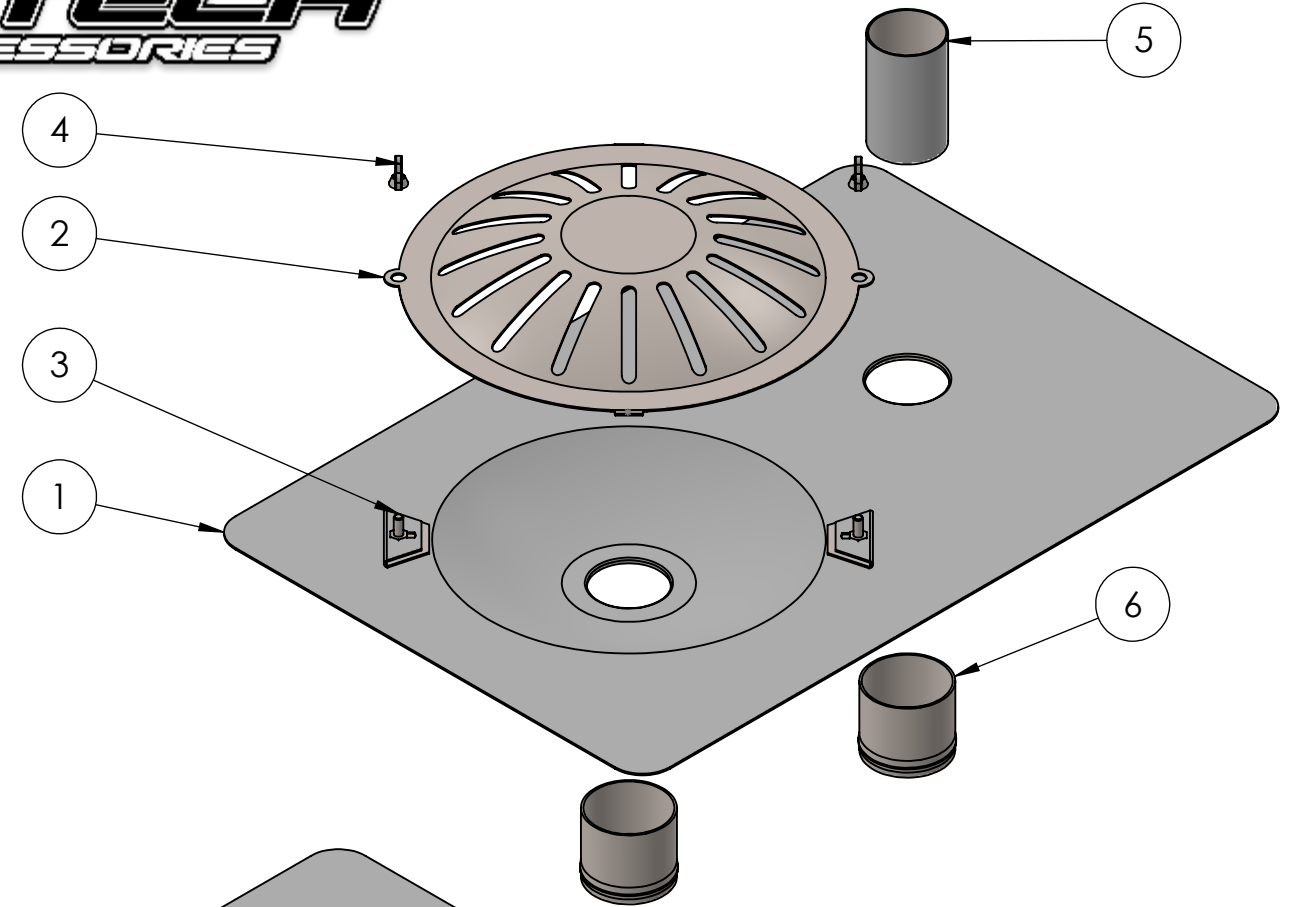
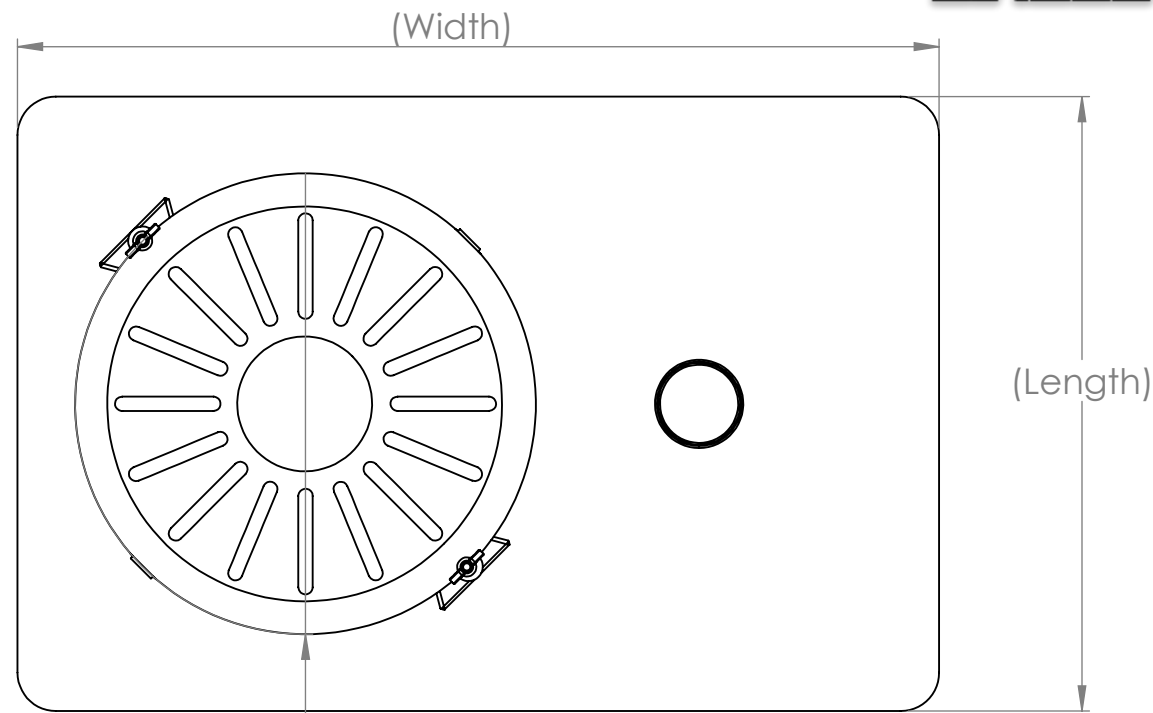


# FLASH-TECH


SINGLE-PLY ACCESSORIES



ITEM NO.	DESCRIPTION
1	TPO/PVC Coated Stainless Drain Plate
2	Stainless Drain Basket
3	Stainless Mounting Brackets
4	Wingnut
5	TPO/PVC Coated Steel Overflow Drain
6	Stainless Drain Hub

SIZING	2" -6" Hub
WIDTH	24
LENGTH	16
BASKET DIAMETER	12
HUB DIAMETER	2-6

Note:  
Specific sizing may differ from drawing profile, drawing for vizualization and fitting purposes.



**PROPRIETARY AND CONFIDENTIAL**

THE INFORMATION CONTAINED IN THIS DRAWING IS THE SOLE PROPERTY OF FLASH TECH MANUFACTURING INC. ANY REPRODUCTION IN PART OR AS A WHOLE WITHOUT THE WRITTEN PERMISSION IS PROHIBITED.

	NAME	DATE
DRAWN	WT	12/31/2025
CHECKED	AS	12/31/2025
ENG APPR.		
MFG APPR.		
Q.A.		

TITLE:

## Basket Drain Combo

SIZE **B** DWG. NO. **0001-2** REV **1**

SCALE: 1:5 SHEET 1 OF 1