

4

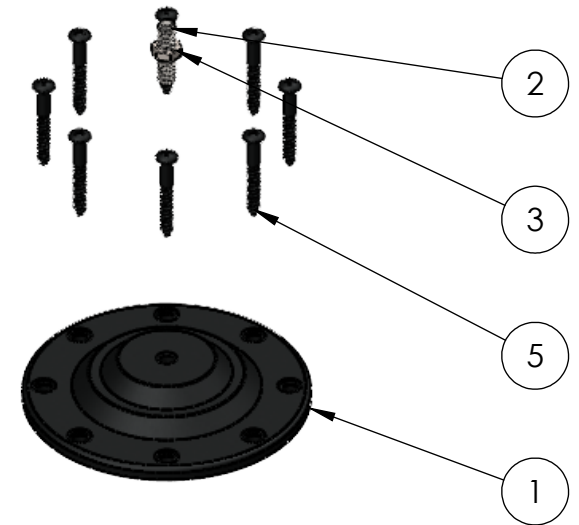
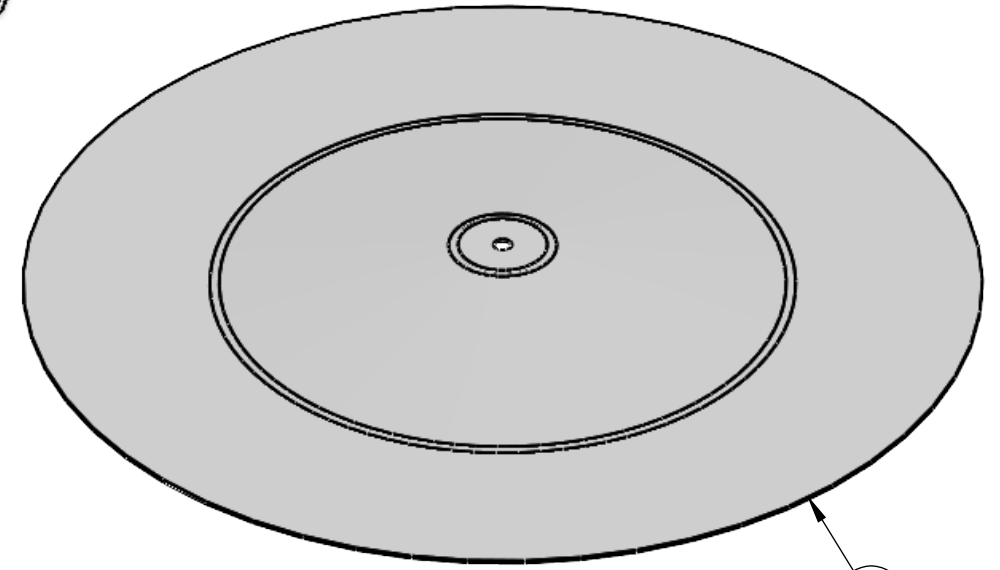
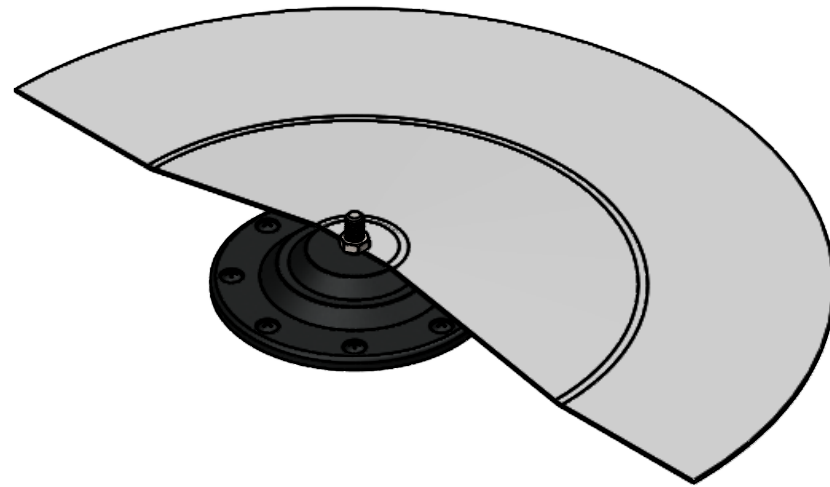
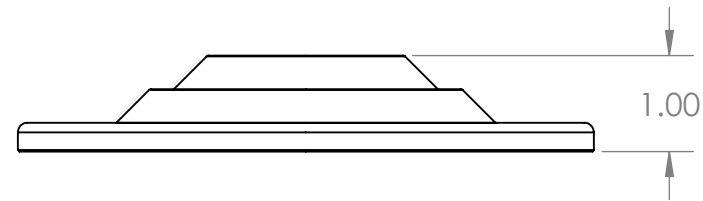
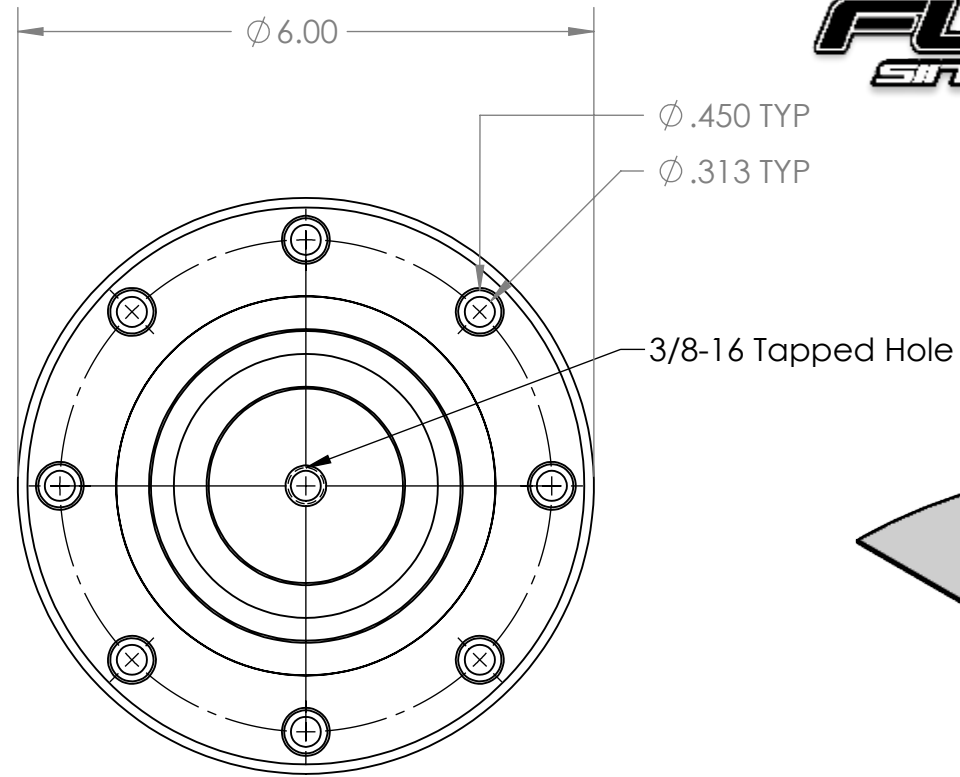
3

2

1

# FLASH-TECH

SINGLE-PLY ACCESSORIES



ITEM NO.	DESCRIPTION
1	Solar Stanchion
2	3/8-16 Stud
3	3/8-16 Nut
4	TPO/PVC Flashing
5	8x #14 Pan Head Screw

Note:  
Specific sizing may differ from drawing profile, drawing for visualization and fitting purposes.



PROPRIETARY AND CONFIDENTIAL

THE INFORMATION CONTAINED IN THIS DRAWING IS THE SOLE PROPERTY OF FLASH TECH MANUFACTURING INC. ANY REPRODUCTION IN PART OR AS A WHOLE WITHOUT THE WRITTEN PERMISSION IS PROHIBITED.

	NAME	DATE	TITLE: <b>Solar Stanchion</b>		
DRAWN	WT	12/31/2025			
CHECKED	AS	12/31/2025			
ENG APPR.					
MFG APPR.					
Q.A.					
MATERIAL			SIZE	DWG. NO.	REV
Aluminum 6061 Stainless Steel TPO/PVC			<b>B</b>	0006-1	1
SCALE: 1:2			SHEET 1 OF 1		

4

3

2

1

B

B

A

A