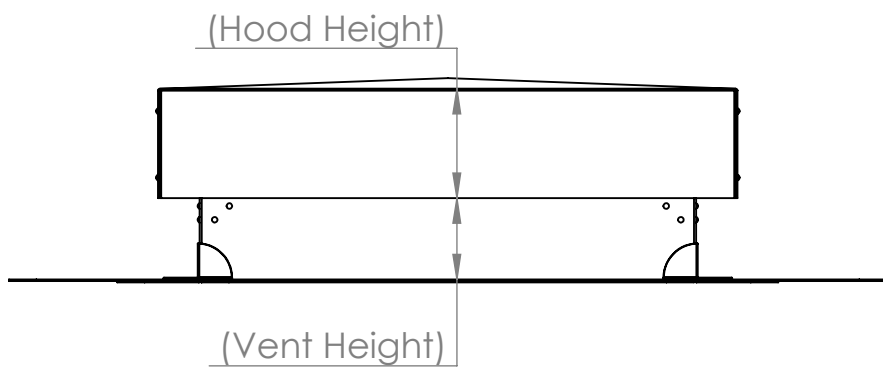
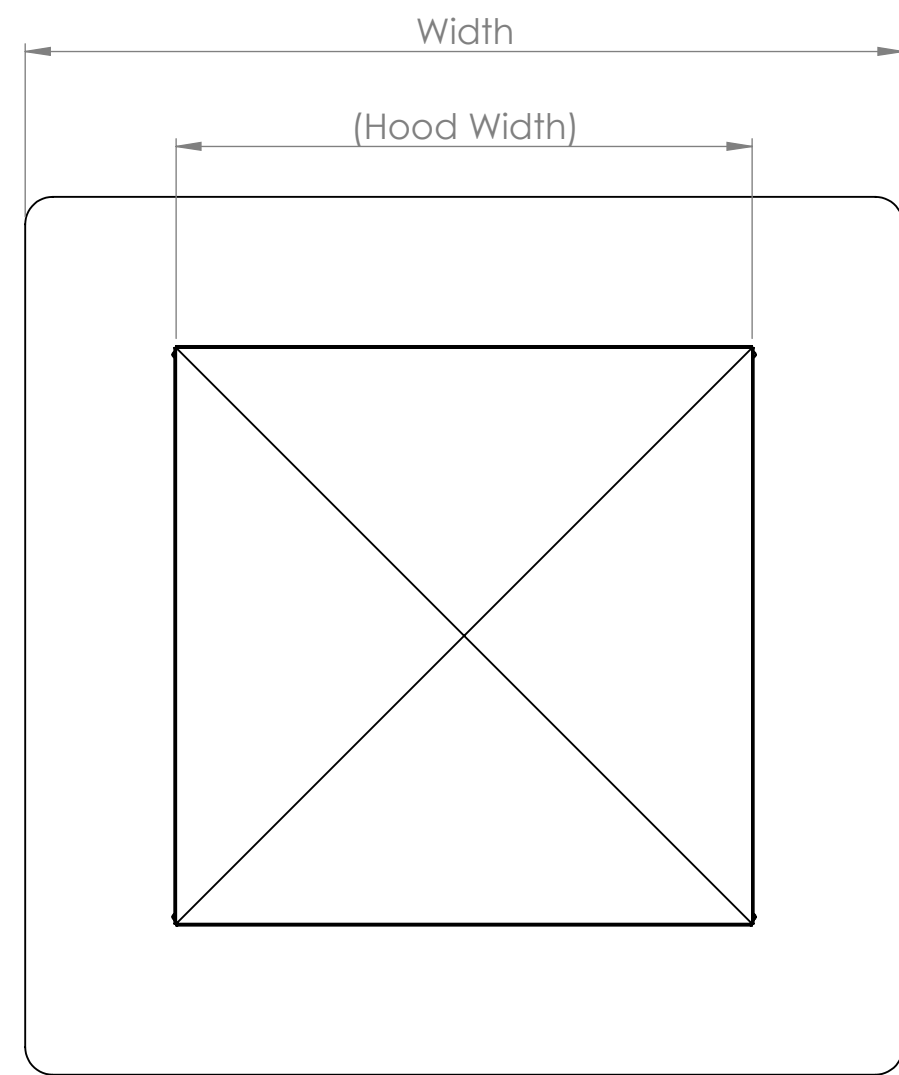


4

3

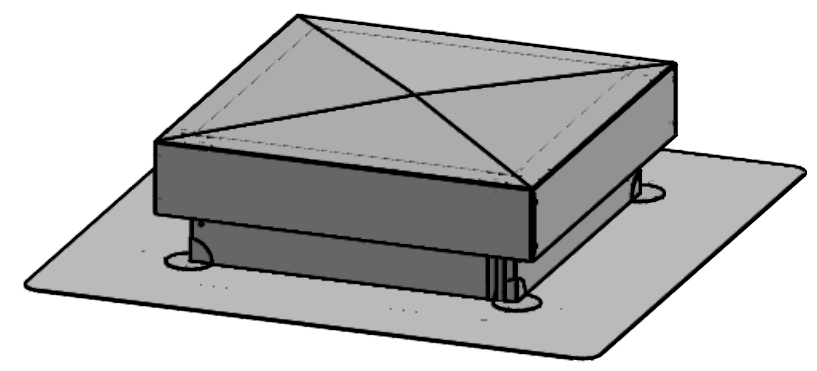
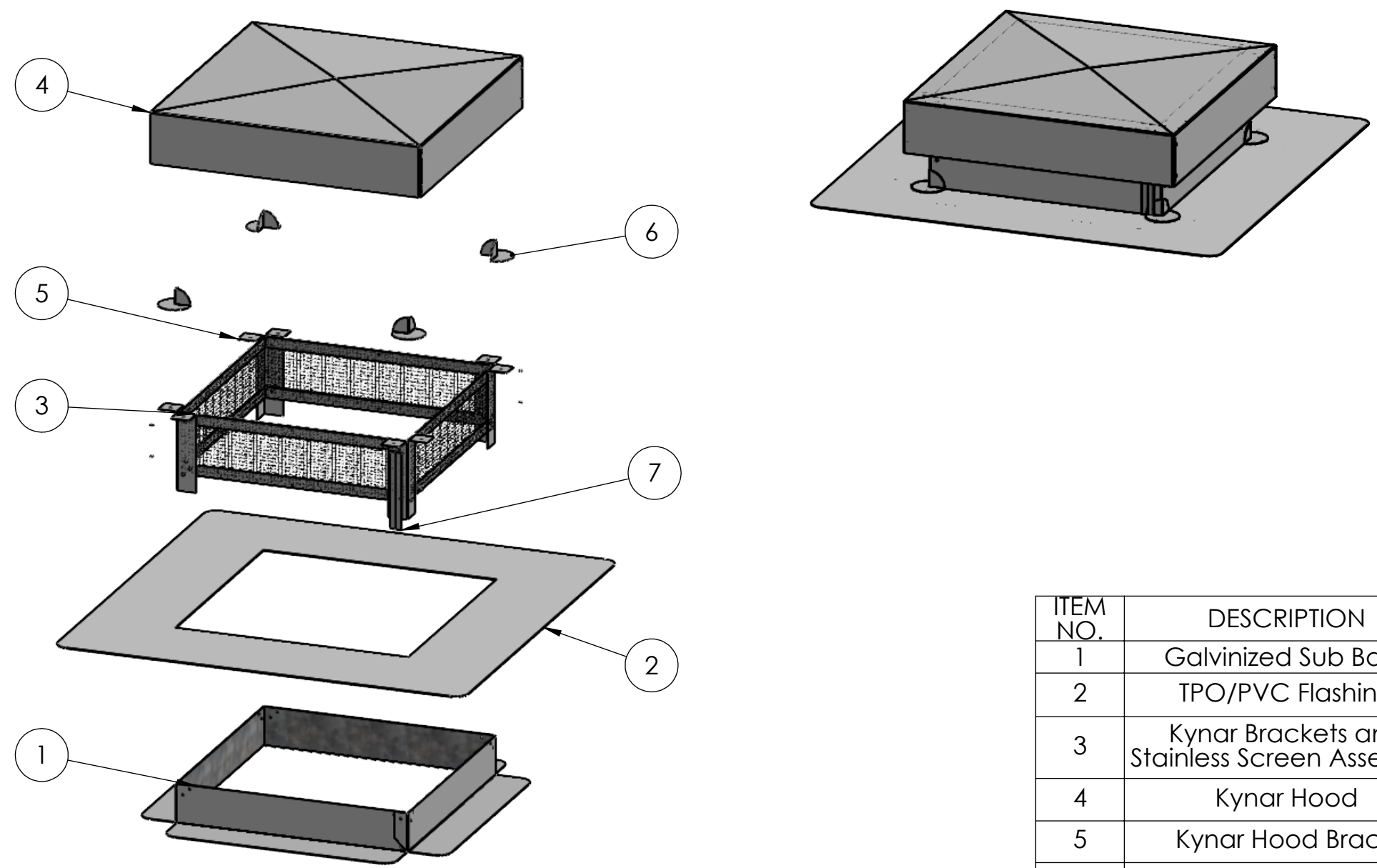
2

1



# FLASH-TECH

SINGLE-PLY ACCESSORIES



ITEM NO.	DESCRIPTION
1	Galvanized Sub Base
2	TPO/PVC Flashing
3	Kynar Brackets and Stainless Screen Assembly
4	Kynar Hood
5	Kynar Hood Brace
6	TPO/PVC Corner Patches
7	PVC/TPO Overlap Patch

Note:  
Specific sizing may differ from drawing profile, drawing for visualization and fitting purposes.

**General Table**

SIZING							
WIDTH	30						
VENT WIDTH	28						
HOOD HEIGHT	8						
VENT HEIGHT	10						

	NAME	DATE
DRAWN	WT	12/31/2025
CHECKED	AS	12/31/2025
ENG APPR.		
MFG APPR.		
Q.A.		

TITLE:  
**Gravity Vent**

SIZE	DWG. NO.	REV
<b>B</b>	<b>0003-1</b>	<b>1</b>

SCALE: 1:5      SHEET 1 OF 1

**PROPRIETARY AND CONFIDENTIAL**

THE INFORMATION CONTAINED IN THIS DRAWING IS THE SOLE PROPERTY OF FLASH TECH MANUFACTURING INC. ANY REPRODUCTION IN PART OR AS A WHOLE WITHOUT THE WRITTEN PERMISSION IS PROHIBITED.

MATERIAL: TPO/PVC Coated Steel, Stainless Steel

4

3

2

1